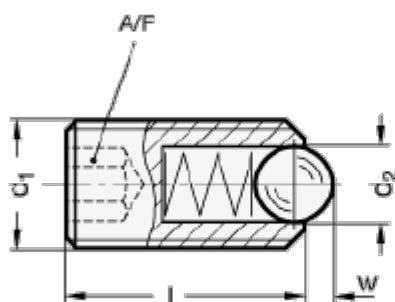


Article number: 206153M8KSMVK

Description: E+G spring plungers 615.3-M8-KS-MVK

## Measures



Thread locking **PFB**  
Polyamide patch  
for type **K**



Thread locking **PFB**  
Polyamide patch  
for type **KS**



Thread locking **MVK**  
Micro encapsulation precote  
(for all types)

A/F	= 4
d1	= M8
d2	= 4.5
l	= 18
Max. spring load in N	= 62
Preload spring pressure in N	= 36
w	= 1.5